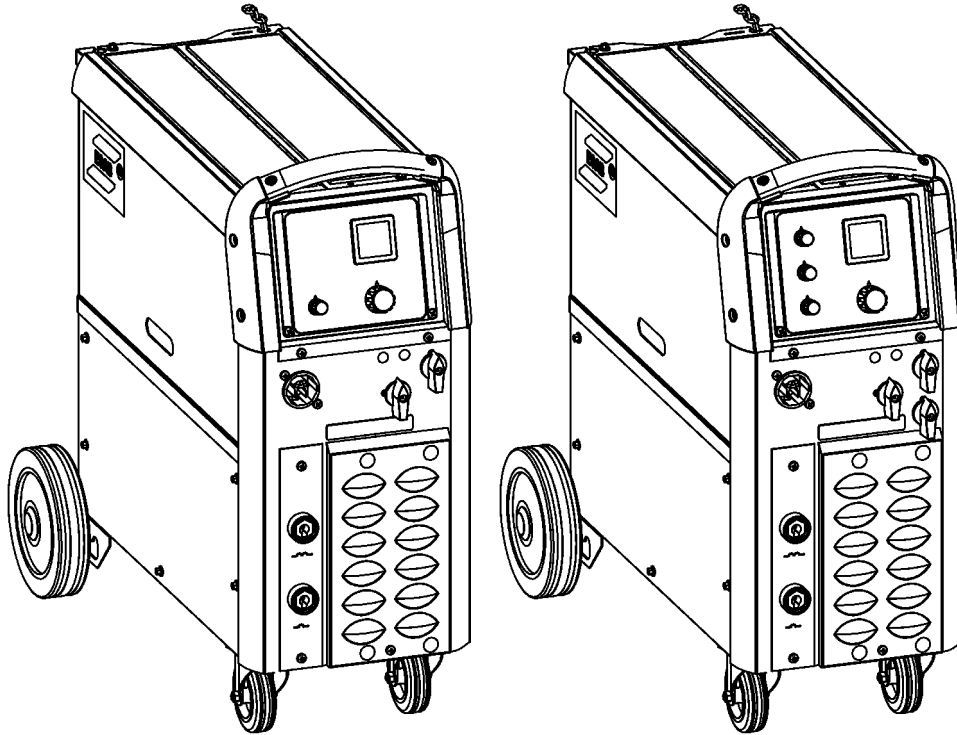


## Spare parts list



Valid for serial no. 225 / 224-xxx-xxxx

### Ordering number

0349 302 889	ESABMig C280	400-415V 3~50Hz
0349 302 844	ESABMig C280	230/400-415/500V 3~50Hz; 230/440-460V 3~60Hz
0349 302 890	ESABMig C280 4WD	400-415V 3~50Hz
0349 302 612	ESABMig C280 4WD	230/400-415/500V 3~50Hz; 230/440-460V 3~60Hz
0349 302 452	ESABMig C340	400-415V 3~50Hz
0349 302 483	ESABMig C340	230/400-415/500V 3~50Hz; 230/440-460V 3~60Hz
0349 302 484	ESABMig C340 4WD	400-415V 3~50Hz
0349 302 485	ESABMig C340 4WD	230/400-415/500V 3~50Hz; 230/440-460V 3~60Hz

Spare parts are to be ordered through the nearest ESAB agency. Kindly indicate type of unit, serial number, denominations and ordering numbers according to the spare parts list.

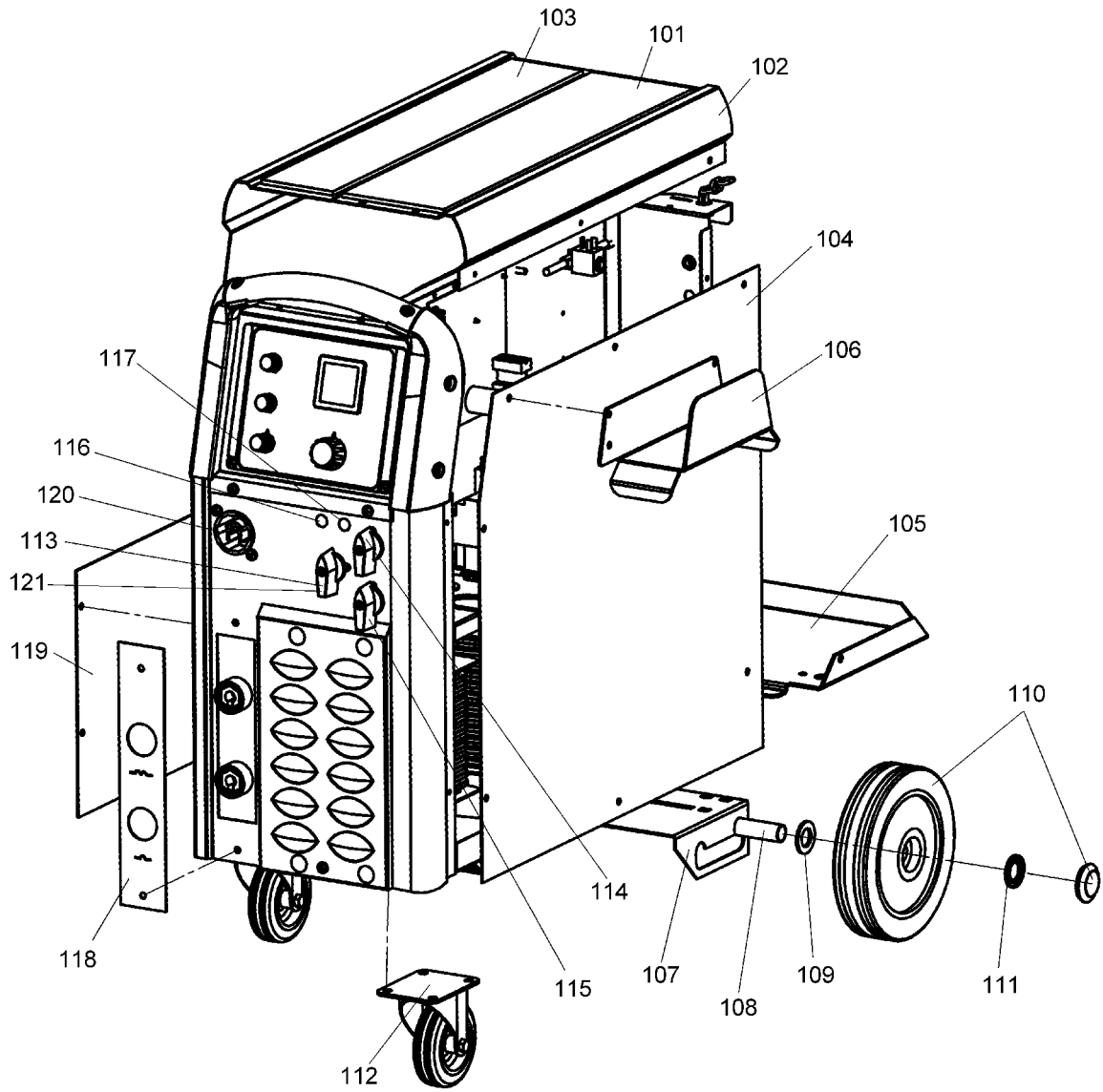
Maintenance and repair work should be performed by an experienced person, and electrical work only by a trained electrician. Use only recommended spare parts.

# ESABMig C280, ESABMig C340

C = component designation in the circuit diagram

Item	Qty C280	Qty C340	Ordering no.	Denomination	Notes	C
101	1	1	0349 302 450	Rubber mat		
102	1	1	0349 302 401	Cover		
103	1	1	0349 302 449	Rubber mat		
104	1	1	0349 302 375	Side panel with text	Right	
105	1	1	0349 302 453	Shelf		
106	1	1		Holder		
107	1	1	0349 302 318	Clamp		
108	1	1	0349 480 311	Shaft		
109	2	2	0349 481 044	Washer	Ø 21	
110	2	2	0455 457 001	Wheel	Ø 200	
111	2	2	0192 859 126	Locking washer	Ø 200	
112	2	2	0349 483 461	Link wheel	Ø 100	
113	1	1	0349 302 305	Switch		QF1
114	1	1	0193 945 001	Switch	10 step	SA1
115	-	1	0193 942 001	Switch	4 step	SA2
116	-	1	0369 733 002	Signal lamp	Orange	HL2
	1	-	0369 733 005	Signal lamp	Orange	V7
117	1	1	0369 733 007	Signal lamp		HL1
118	1	1	0349 302 378	OKC plate		
119	1	1	0349 302 431	Side panel		
120	-	1	0455 890 881	Feeder mechanism		
	1	-	0455 890 882	Feeder mechanism		
	-	1	0459 000 883	Feeder mechanism	(4WD)	
	1	-	0459 000 884	Feeder mechanism	(4WD)	
121	1	1	0349 302 253	Knob		

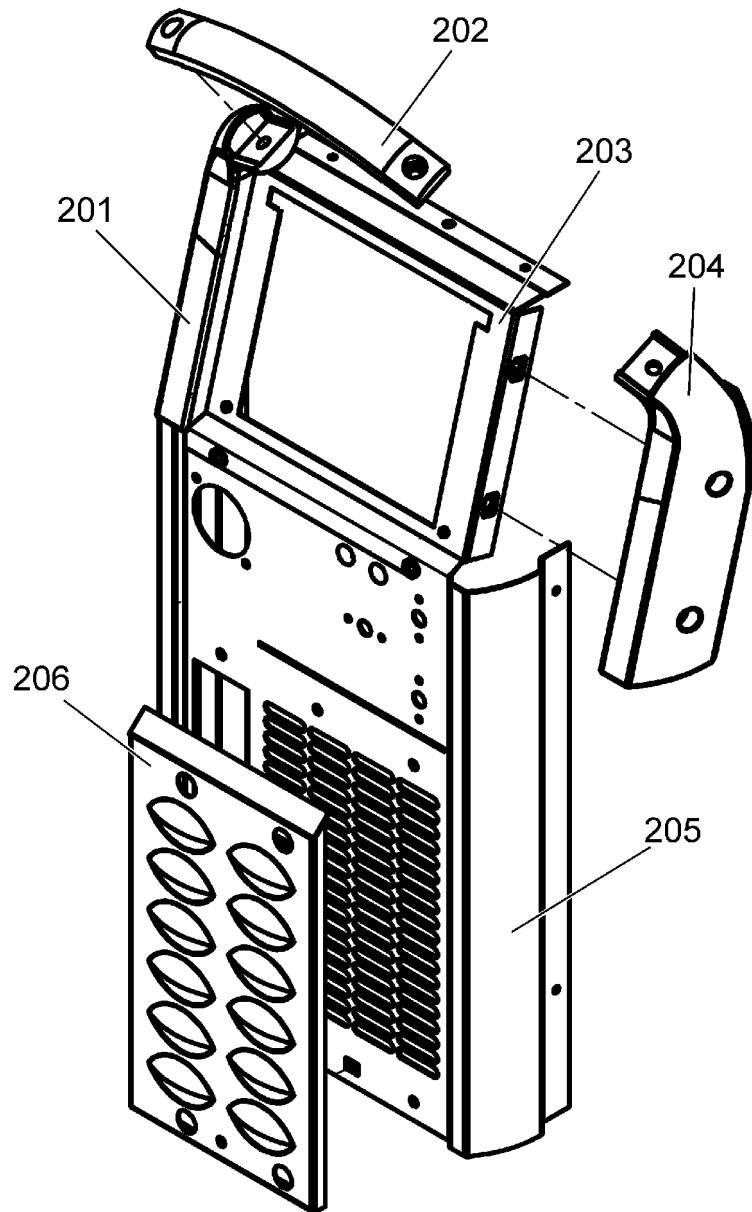
**ESABMig C280, ESABMig C340**



## ESABMig C280, ESABMig C340

C = component designation in the circuit diagram

Item	Qty C280	Qty C340	Ordering no.	Denomination	Notes	C
201	1	1	0349 302 282	Left corner		
202	1	1	0349 302 327	Handle		
203	1	1	0349 302 325	Upper front panel		
204	1	1	0349 302 283	Right corner		
205	-	1	0349 302 324	Lower front plate with text		
	1	-	0349 302 884	Lower front plate with text		
206	1	1	0349 302 326	Grill		



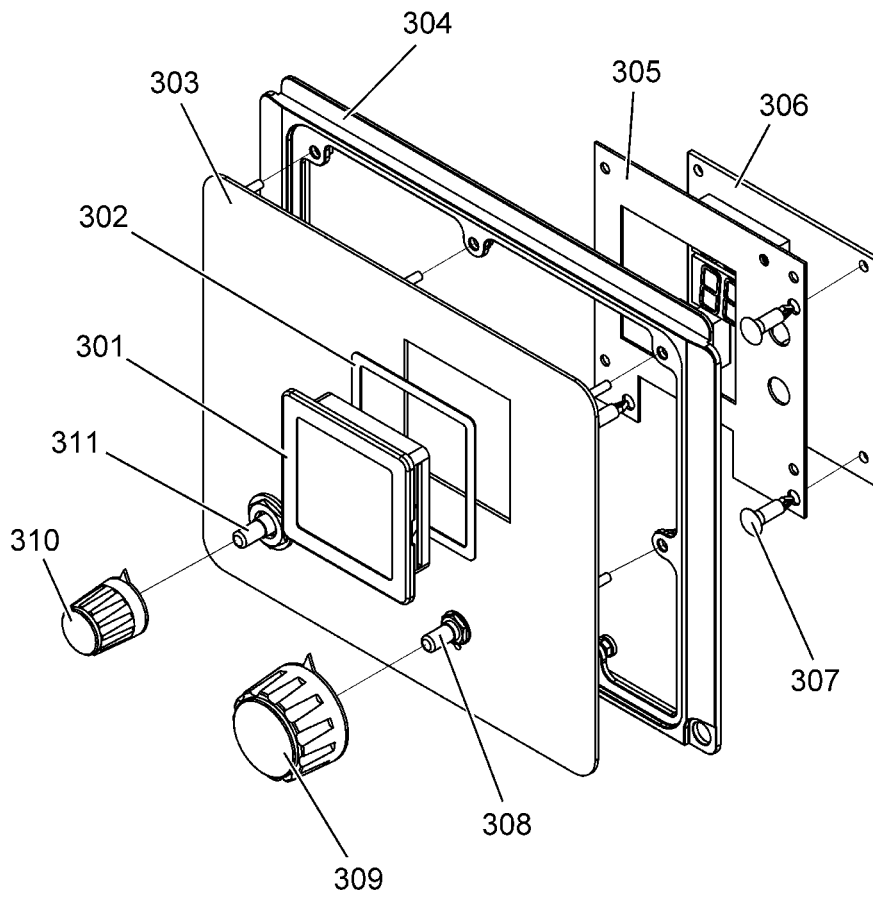
## ESABMig C280, ESABMig C340

C = component designation in the circuit diagram

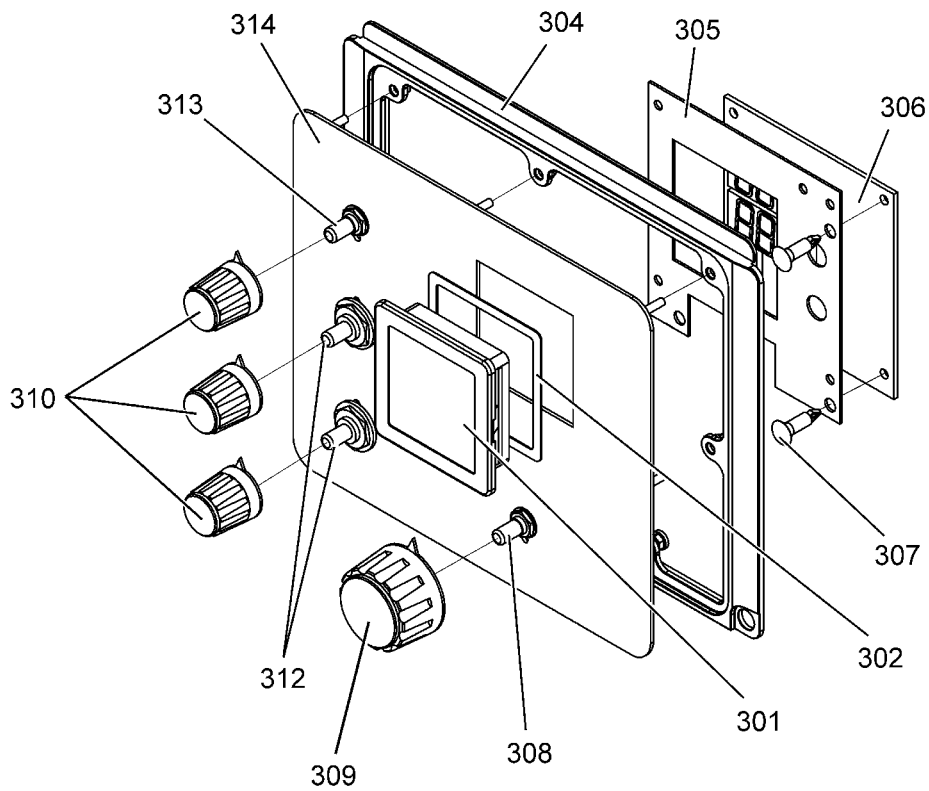
Item	Qty C280	Qty C340	Ordering no.	Denomination	Notes	C
301	1	1	0455 172 001	Glass		
301	1	1	0455 174 001	Seal		
303	1	-	0349 302 330	Panel		
304	1	1	0459 118 002	Protection frame		
305	1	1	0349 302 287	Plate		
306	1	1		Circuit-board		AP2
307	3	3	0455 226 004	Spacer		
308	1	1	0349 303 074	Potentiometer		RP1
309	1	1	0321 475 882	Knob		
310	1	3	0321 475 881	Knob		
311	1	-	0349 303 232	Potentiometer		RP2
312	-	2	0349 303 103	Switch		S1, S2
313	-	1	0349 303 075	Potentiometer		RP2
314	-	1	0349 302 332	Panel		
-	1	-	0349 302 322	MMC module	Contains items 301-314	
-	-	1	0349 302 331	MMC module	Contains items 301-314	

# ESABMig C280, ESABMig C340

## ESABMig C280



## ESABMig C340

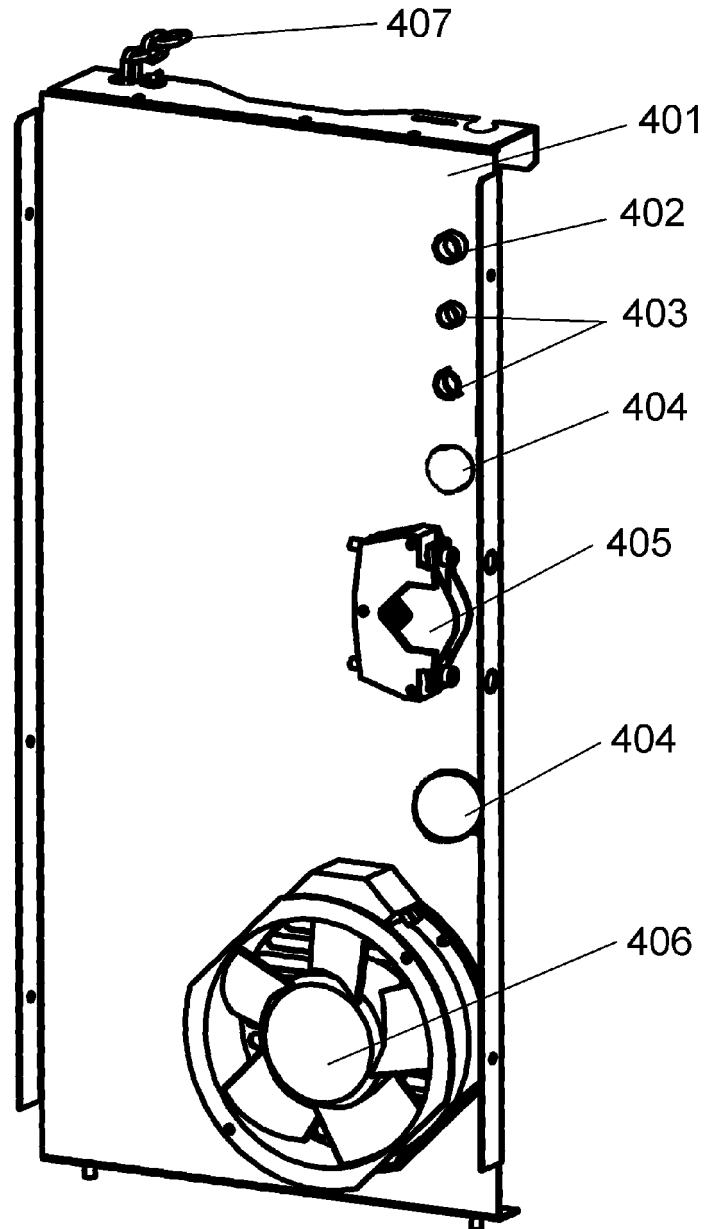


## ESABMig C280, ESABMig C340

C = component designation in the circuit diagram

Item	Qty C280	Qty C340	Ordering no.	Denomination	Notes	C
401	1	1	0349 302 321	Rear panel		
402	1	1	0349 490 192	Bushing		
403	2	2		Blind plug	Ø 13	
404	2	2		Blind plug	Ø 30	
405	1	1	0469 950 880	Cable inlet		
406	1	1	0349 483 510	Fan		EV1
407	1	1	0321 173 001	Securing chain		

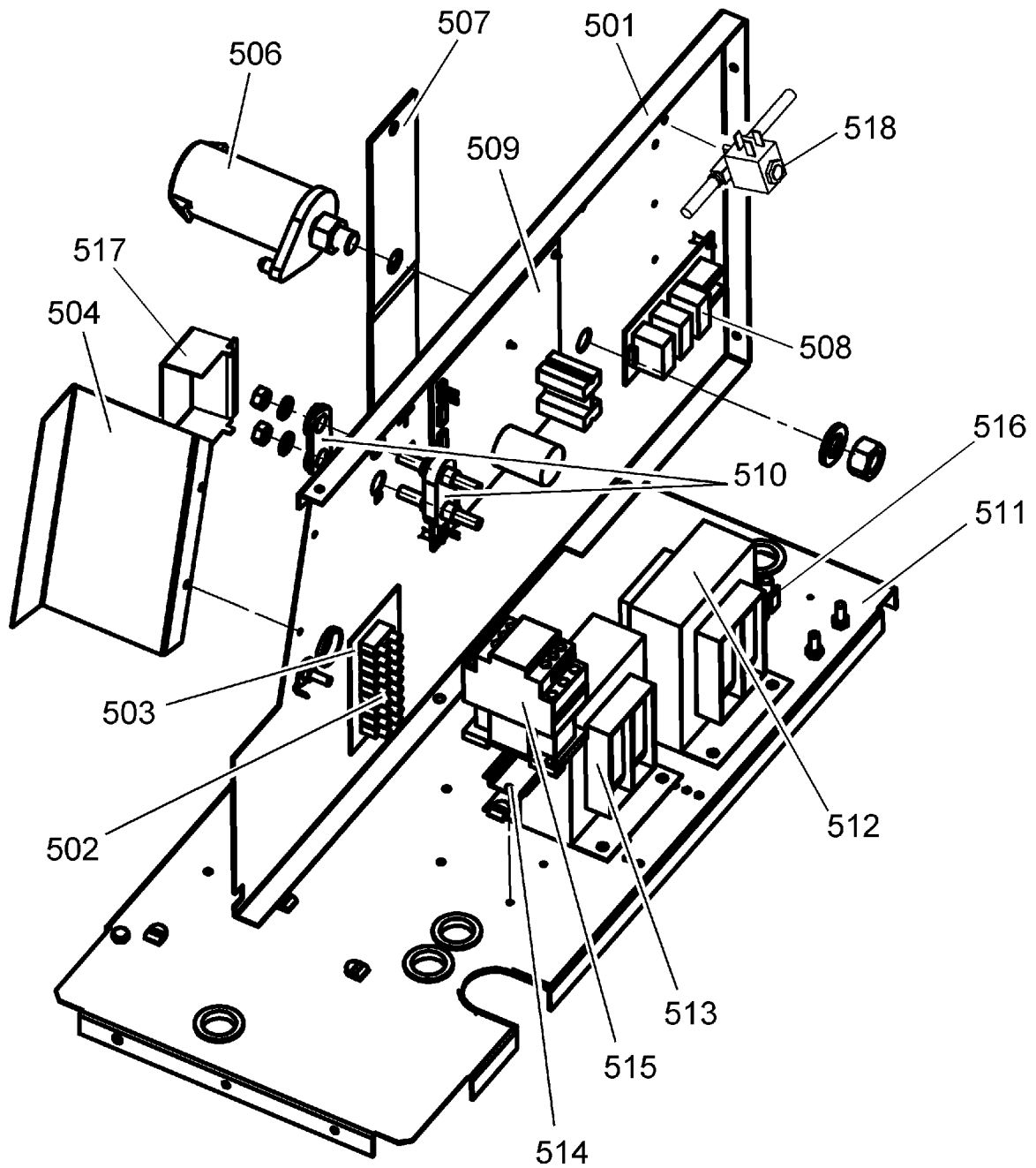




## ESABMig C280, ESABMig C340

C = component designation in the circuit diagram

Item	Qty C280 400- 415V	Qty C280 230- 500V	Qty C340 400- 415V	Qty C340 230- 500V	Ordering no.	Denomination	Notes	C
501	1	1	1	1	0349 302 366	Intermediate plate		
502	1	1	1	1	0349 303 841	Terminal	3/4	XT2
503	1	-	1	-	0349 491 160	Plate		
	-	1	-	1	0349 491 163	Plate		
504	1	1	1	1	0349 302 367	Cover		
506	1	1	1	1	0146 967 881	Brake hub		
507	1	1	1	1	0469 524 001	Support		
508	1	1	-	-	0486 364 880	EMC filter		AP3
509	-	-	1	1	0487 162 880	Circuit board		AP1
	1	1	-	-	0487 288 881	Circuit board		AP1
510	1	1	1	1	0469 378 880	Terminal Insulation KIT		XT3
511	1	1	1	1	0349 302 338	Intermediate plate		
512	1	1	1	1		Transformer		TC2
513	-	-	1	-	0455 635 001	Transformer		TC1
	-	-	-	1	0455 636 001	Transformer		TC1
	1	-	-	-	0455 637 001	Transformer		TC1
	-	1	-	-	0455 638 001	Transformer		TC1
514	1	1	1	1	0193 298 101	Bracket		
515	-	-	1	-	0193 297 103	Contacteur		KM1
	-	1	-	1	0193 502 101	Contacteur		KM1
	1	-	-	-	0193 922 001	Contacteur		KM1
516	-	-	1	1	0162 781 002	Terminal	1/4	
517	1	1	1	1	0456 185 002	Cover		
518	1	1	1	1	0349 483 648	Gas valve		YV1

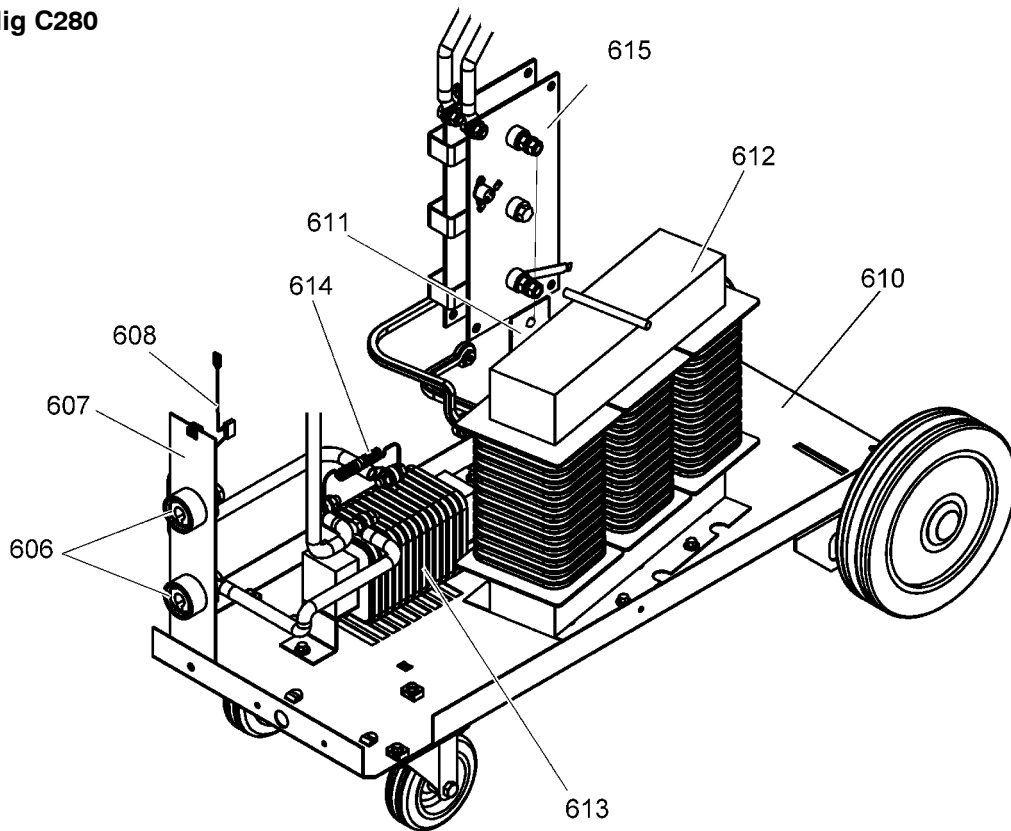


**ESABMig C280, ESABMig C340****C = component designation in the circuit diagram**

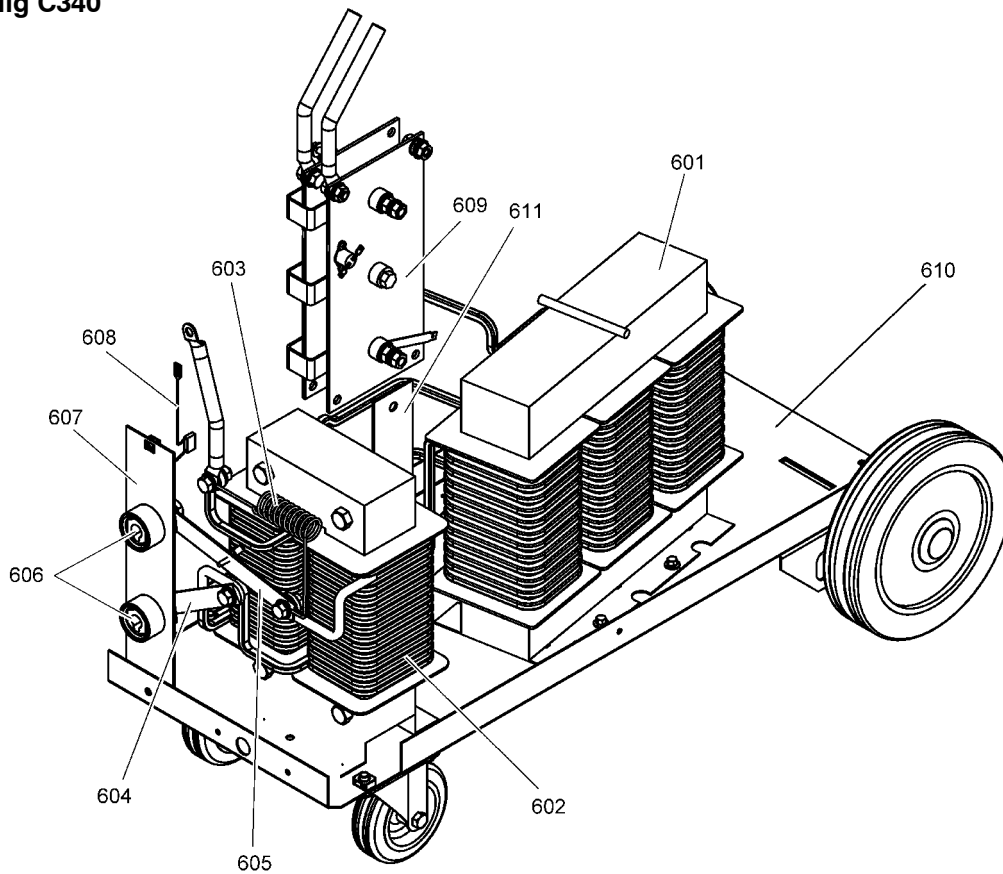
Item	Qty C280	Qty C340	Ordering no.	Denomination	Notes	C
601	-	1	0349 302 344	Transformer		TM1
602	-	1	0455 328 880	Inductor		L1
603	-	1	0349 302 349	Resistor		R1
604	-	1	0349 492 823	Rail		
605	-	1	0349 492 824	Rail		
606	2	2	0160 362 881	Current terminal		XS1 XS2
607	1	1	0349 302 348	Plate		
608	1	1	0349 302 352	Capacitor		C1
609	-	1	0349 302 346	Diode bridge		V1-V6
610	1	1	0349 302 317	Bottom plate		
611	1	1	0349 302 354	Bracket		
612	1	-	0349 302 393	Transformer		TM1
613	1	-	0349 302 600	Inductor		L1
614	1	-	0349 486 126	Resistor		R1
615	1	-	0349 302 382	Diode bridge		V1-V6

# ESABMig C280, ESABMig C340

## ESABMig C280



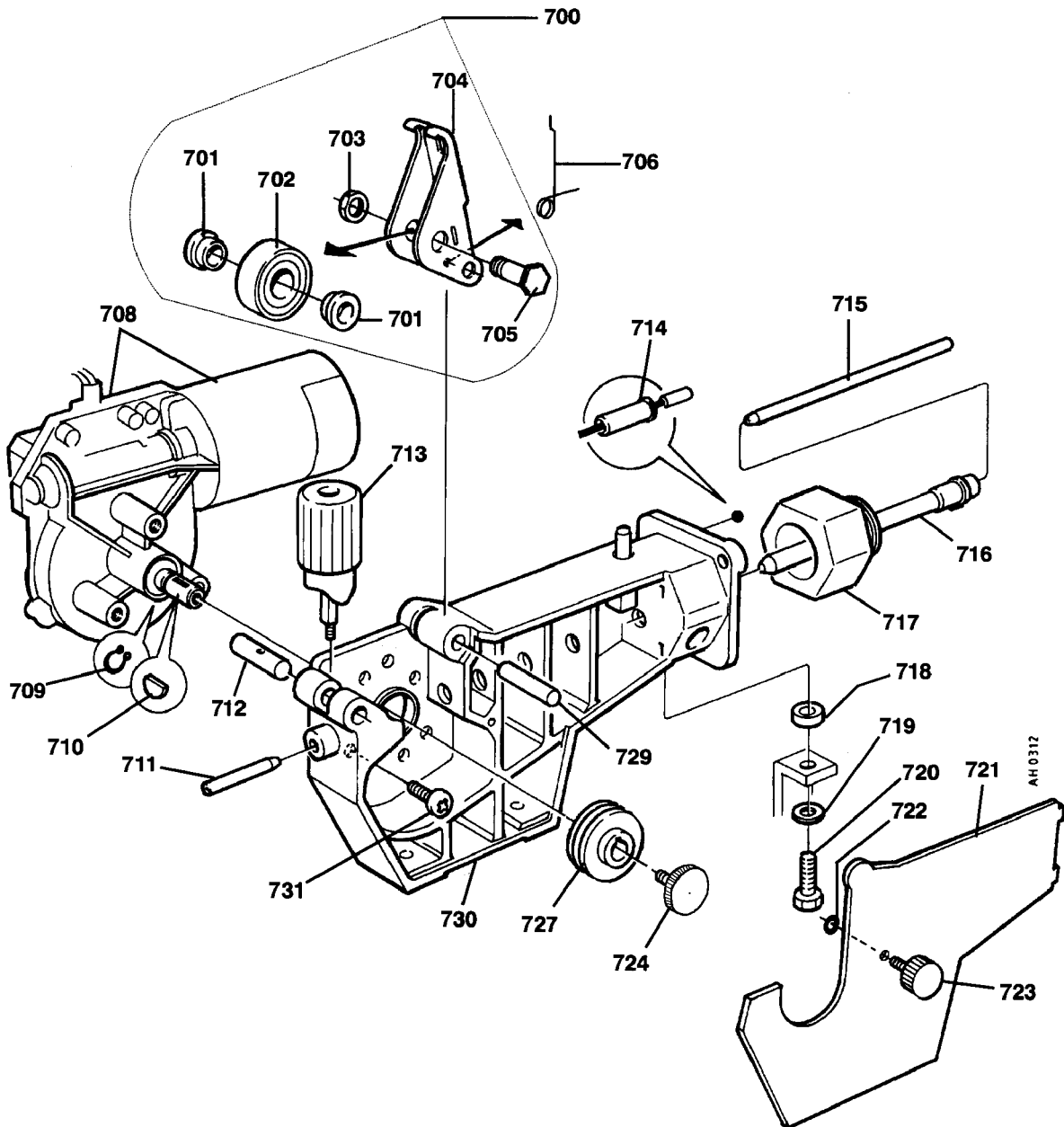
## ESABMig C340



# ESABMig C280

C = component designation in the circuit diagram

Item	Qty	Ordering no.	Denomination	Notes	C
-	1	0455 890 888	Wire feed mechanism		
700	1	0367 529 001	Pressure arm		
701	2	0455 906 001	Spacer sleeve		
702	1	0455 907 001	Pressure roller		
703	1		Nut	SGA D8	
704	1		Holder		
705	1		Shaft		
706	1	0455 896 001	Spring		
708	1	0466 489 001	Drive unit		M1
709	1	0215 701 007	Locking washer	Included in item 708	
710	1	0191 496 114	Key	Included in item 708	
711	1	0466 074 001	Inlet nozzle		
712	1	0367 528 001	Pin bolt		
713	1	0368 749 880	Pressure transducer		
714	2	0368 750 001	Insulating sleeve		
715a	1	0455 894 001	Insert tube	Plastic, must be used together with item 716a. For welding with Al wire.	
715b	1	0455 889 001	Insert tube	Steel, must be used together with item 716b.	
716a	1	0455 885 001	Outlet nozzle	Must be used together with item 715a. For welding with Al wire.	
716b	1	0455 886 001	Outlet nozzle	Must be used together with item 715b.	
717	1	0455 882 001	Current sleeve		
718	1	0455 883 001	Spacer sleeve	Ø 16/8.2x0.9	
719	1		Washer	Ø 16/8.4x1.5	
720	1		Screw	M8x20	
721	1	0455 881 001	Protection plate		
722	1	0215 201 202	O-ring		
723	1		Screw	M5x12	
724	1	0349 308 502	Screw	M4x10	
727	1	0367 556 001	Feed roller	Ø 0.6-0.8mm Fe, Ss, cored wire.	
	1	0367 556 002	Feed roller	Ø 0.8-1.0mm Fe, Ss, cored wire.	
	1	0367 556 006	Feed roller	Ø 1.0-1.2mm cored wire.	
	1	0367 556 004	Feed roller	Ø 1.0-1.2mm Al wire.	

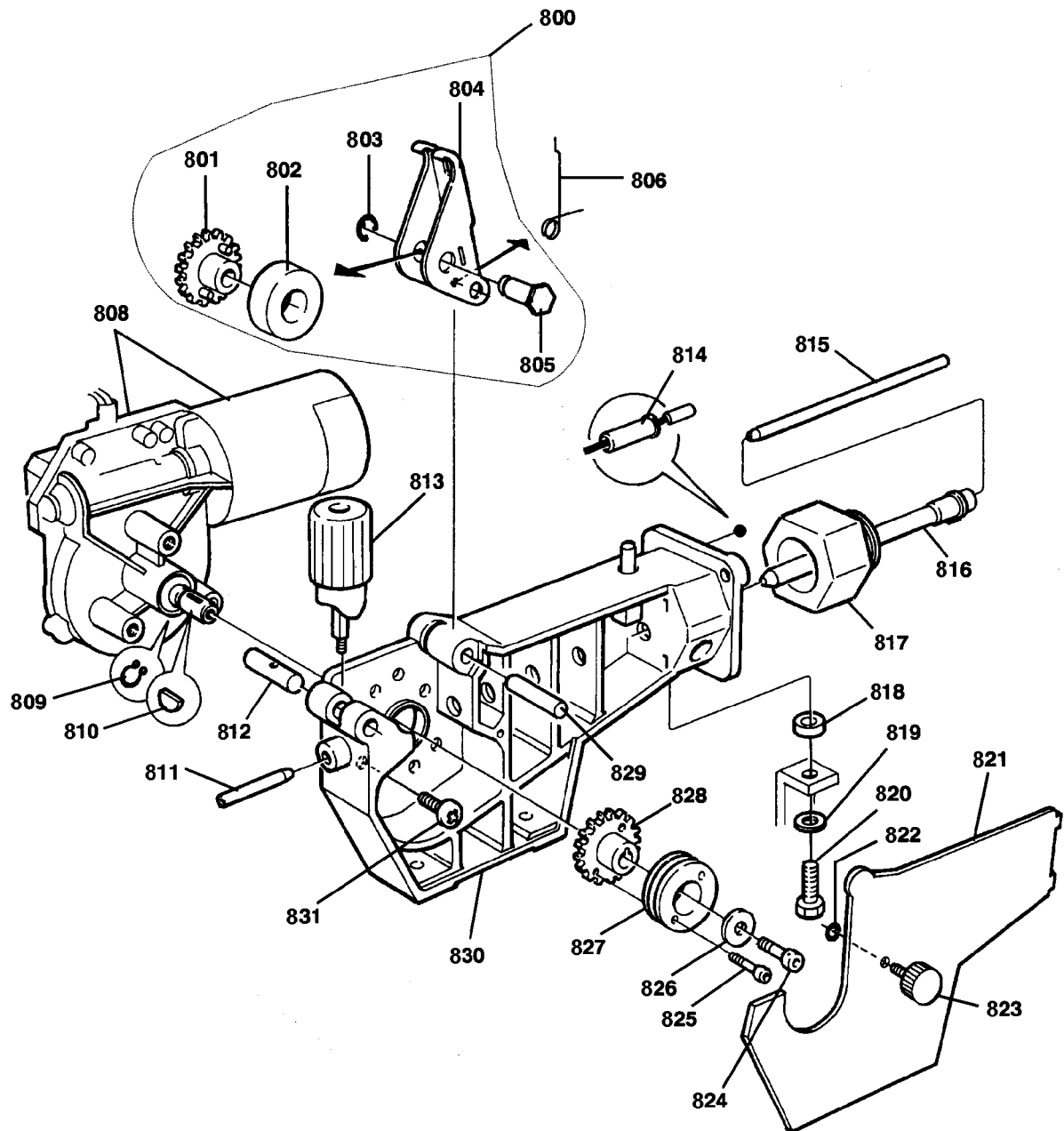


# ESABMig C340

C = component designation in the circuit diagram

Item	Qty	Ordering no.	Denomination	Notes	C
-	1	0455 890 881	Wire feed unit		
800	1	0469 833 880	Pressure arm	Complete, contains items 801-805	
801	1	0367 907 013	Gear adapter		
802	1	0369 728 001	Pressure roller		
	1	0466 262 001	Pressure roller	Knurled	
803	1		Locking washer	SGA D8	
804	1		Holder		
805	1		Shaft		
806	1	0455 896 001	Spring		
808	1	0455 597 001	Drive unit with tachometer		M1, G1
809	1	0215 701 007	Locking washer	Included in item 808	
810	1	0191 496 114	Key	Included in item 808	
811	1	0466 074 001	Inlet nozzle		
812	1	0367 528 001	Pin bolt		
813	1	0368 749 880	Pressure transducer		
814	2	0368 750 001	Insulating sleeve		
815a	1	0455 894 001	Insert tube	Plastic, must be used together with item 816a. For welding with Al wire.	
815b	1	0455 889 001	Insert tube	Steel, must be used together with item 816b.	
816a	1	0455 885 001	Outlet nozzle	Must be used together with item 815a. For welding with Al wire.	
816b	1	0455 886 001	Outlet nozzle	Must be used together with item 815b.	
817	1	0455 882 001	Current sleeve		
818	1	0455 883 001	Spacer sleeve	Ø 16/8.2x0.9	
819	1		Washer	Ø 16/8.4x1.5	
820	1		Screw	M8x20	
821	1	0455 881 001	Protection plate		
822	1	0215 201 202	O-ring		
823	1		Screw	M5x12	
824	1		Screw	M4x12	
825	2		Screw	M3x16	
826	1	0193 104 002	Washer		
827	1	0369 557 001	Feed roller	Ø 0.6-0.8mm Fe, Ss and cored wire.	
	1	0369 557 002	Feed roller	Ø 0.8-1.0mm Fe, Ss and cored wire.	
	1	0369 557 003	Feed roller	Ø 1.0-1.2mm Fe, Ss and cored wire.	
	1	0369 557 004	Feed roller	Ø 1.0-1.2mm (1.4-1.6mm) cored wire, knurled.	
	1	0369 557 006	Feed roller	Ø 1.0-1.2mm Al wire.	
828	1	0369 716 001	Gear adapter		
829	1	0455 893 001	Shaft		
830	1	0455 884 001	Gear housing		
831	3		Screw	M6x16	





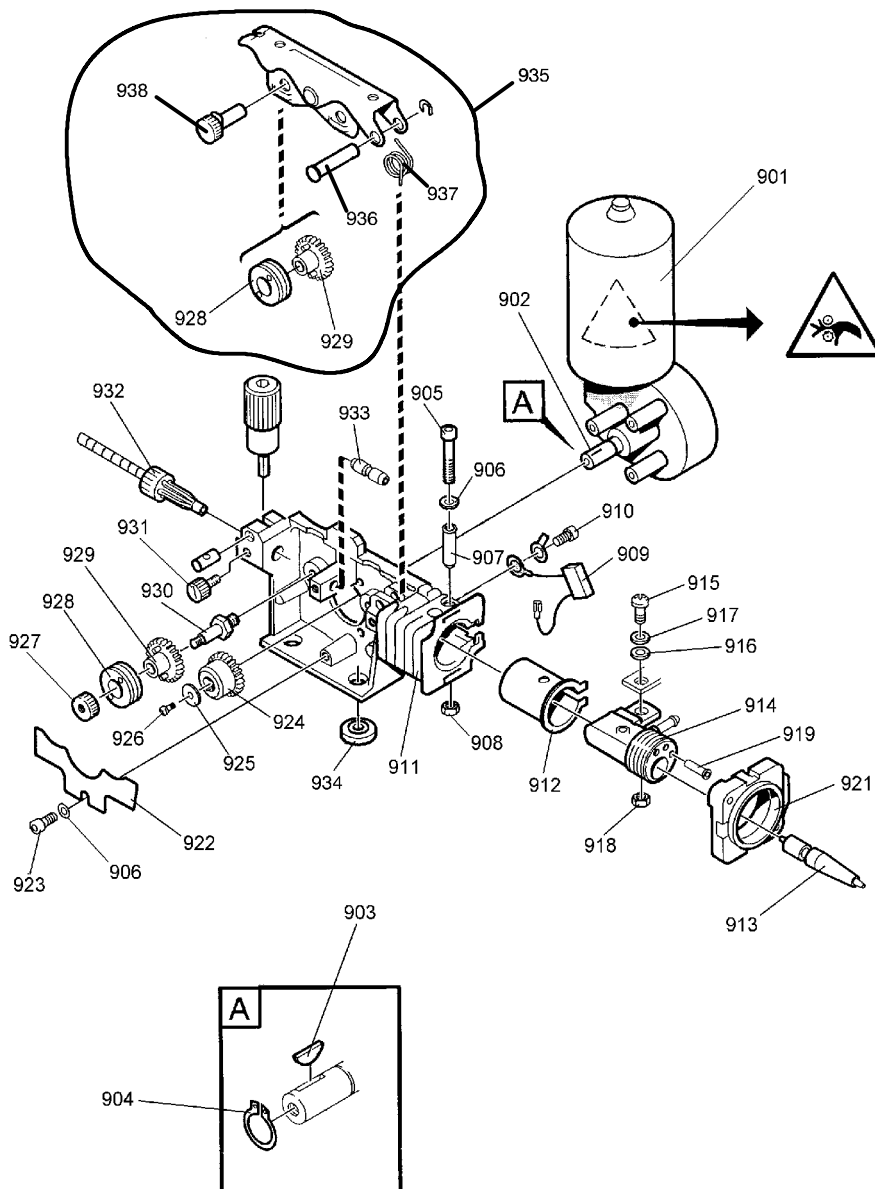
# ESABMig C280, ESABMig C340

C = component designation in the circuit diagram

Item	Qty C280	Qty C340	Ordering no.	Denomination	Notes	C
	-	1	0459 000 883	Wire feed mechanism		
	1	-	0459 000 884	Wire feed mechanism		
901	-	1	0455 597 001	Drive unit		M1
	1	-	0466 489 001	Drive unit		M1
	1	1	0193 498 104	Connector		
	1	1	0193 260 063	Connector		
902	1	1	0332 351 012	Shaft (with pinion)	Included in item 901	
903	1	1	0191 496 114	Key	Included in item 901	
904	1	1	0215 701 007	Locking washer	Included in item 901	
905	1	1		Screw	M6x40	
906	2	2		Washer	Ø 12/6,4x1,5	
907	1	1	0455 048 001	Insulating tube		
908	1	1		Nut	M6	
909	1	1	0467 911 880	Capacitor		C3
910	4	4		Screw	M6x12	
911	1	1	0455 046 003	Gear housing		
912	1	1	0455 045 001	Insulating sleeve		
913	1	1	0469 837 880	Outlet nozzle	Ø2.0mm steel for 0.6-1.6mm wire	
	1	1		Outlet nozzle	Ø2.0mm plastic for 0.8-1.6mm Al wire	
914	1	1	0455 044 001	Current connection		
915	1	1		Screw	M8x25	
916	1	1		Washer	Ø 16/8,4x1,5	
917	1	1		Spring washer	Ø 16/8,2x0,9	
918	1	1		Nut	M8	
919	2	2	0368 750 001	Insulating sleeve		
921	1	1	0455 047 001	Front flange		
922	1	1	0469 838 001	Cover		
923	3	3		Screw	M6x12	
924	1	1	0455 052 001	Drive gear		
925	1	1		Washer	Ø 16/5x1M4x12	
926	1	1		Screw		
927	2	2	0458 721 001	Locking nut		
928	4	4	0459 052 002	Feed/pressure roller	Ø 0.8-1.0mm Fe, Ss, Al, cored wire	
	4	4	0459 052 003	Feed/pressure roller	Ø 1.0-1.2mm Fe, Ss, Al, cored wire	
	4	4	0458 825 001	Feed/pressure roller	Ø 1.0-1.2mm V-groove, knurled	
	4	4	0458 825 002	Feed/pressure roller	Ø 1.2-1.4mm V-groove, knurled	
	4	4	0458 824 001	Feed/pressure roller	Ø 0.8-1.0mm Al wire, U-groove	
	4	4	0458 824 003	Feed/pressure roller	Ø 1.2-1.6mm Al wire, U-groove	

# ESABMig C280, ESABMig C340

Item	Qty C280	Qty C340	Ordering no.	Denomination	Notes	C
929	4	4	0455 053 880	Gear adapter		
930	2	2	0458 722 001	Feed roll axle		
931	3	3	0458 689 001	Nozzle screw		
932	1	1	0455 049 001	Inlet nozzle	Ø 3.0mm plastic for 0.6-1.6mm Fe, Ss, Al, cored wire	
	1	1	0332 318 001	Inlet nozzle	Ø 2.4mm steel	
933	1	1	0455 072 002	Intermediate nozzle		
	1	1	0456 615 001	Intermediate nozzle	Al	
934	4	4	0153 043 002	Insulating washer		
935	1	1	0459 001 880	Pressure arm complete		
936	1	1	0458 997 001	Shaft		
937	1	1	0458 993 001	Torsion spring		
938	2	2	0458 999 001	Shaft		

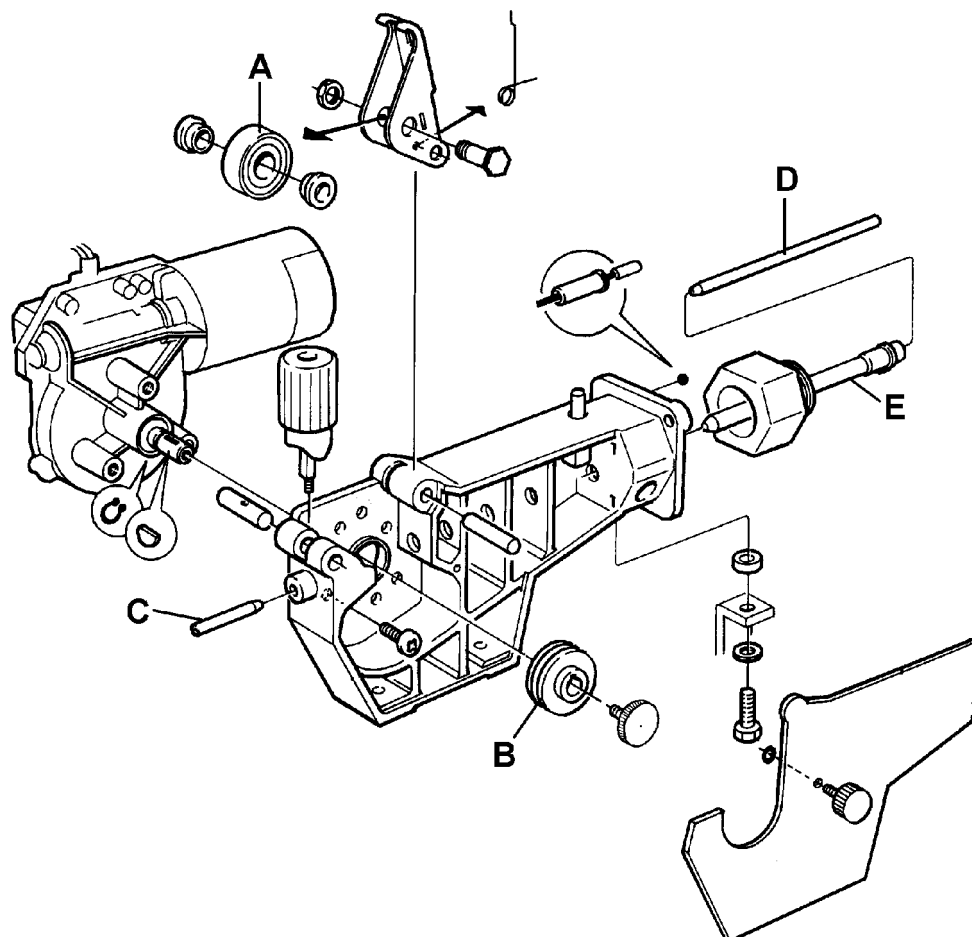


**Wear components**

**(W. F. Mechanism 0455 890 888)**

Item	Denomination	Ordering no.	Notes
A	Pressure roller	0455 907 001	
B	Feed roller	0367 556 001	Ø 0.6-0.8mm Fe, Ss, cored wire.
		0367 556 002	Ø 0.8-1.0mm Fe, Ss, cored wire.
		0367 556 006	Ø 1.0-1.2mm cored wire.
		0367 556 004	Ø 1.0-1.2mm Al wire.
C	Inlet nozzle	0466 074 001	
D	Insert tube	0455 894 001	Plastic, must be used together with item 0455 885 001, for welding with Al wire.
		0455 889 001	Steel, must be used together with item 0455 886 001.
E	Outlet nozzle	0455 885 001	Must be used together with item 0455 894 001, for welding with Al wire.
		0455 886 001	Must be used together with item 0455 889 001.

The rollers are marked with wire dimension in mm, some are also marked with inch.



**Welding with aluminium wires.**

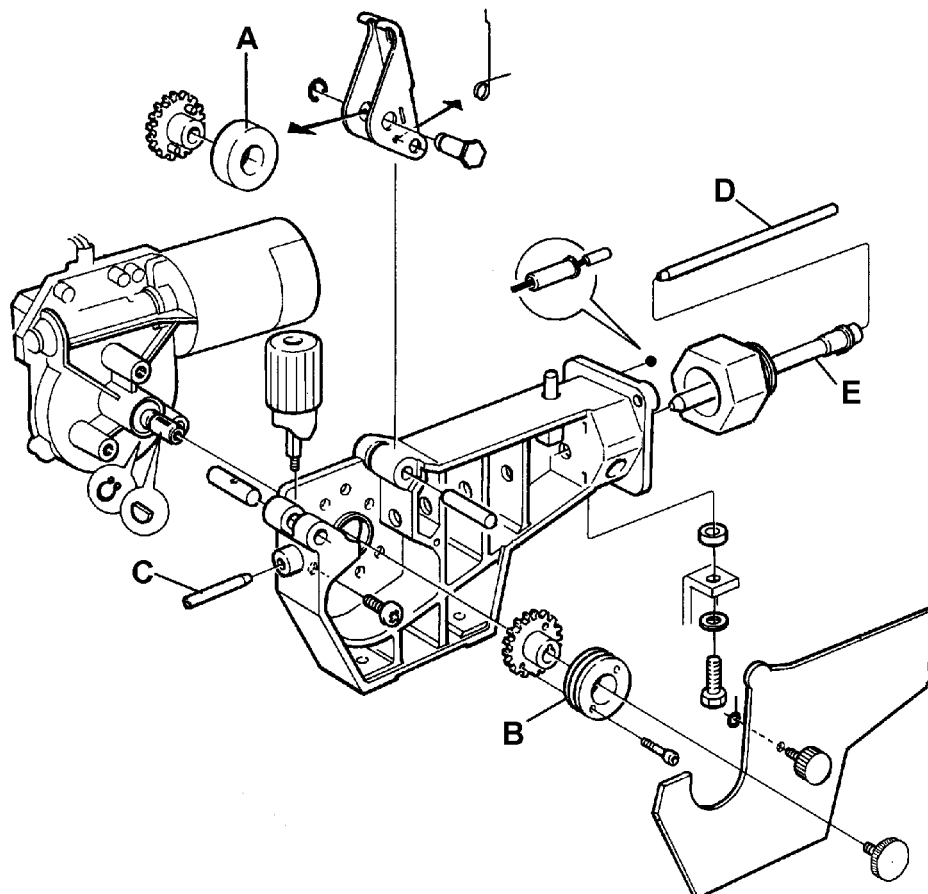
In order to weld with aluminium wires, proper rollers, nozzles and liners for aluminium wires **MUST** be used. It is recommended to use 3m long welding gun for aluminium wires, equipped with appropriate wear parts.

Wear components

(W. F. Mechanism 0455 890 881)

Item	Denomination	Ordering no.	Notes
A	Pressure roller	0369 728 001 0466 262 001	Knurled
B	Feed roller	0369 557 001 0369 557 002 0369 557 003 0369 557 004 0369 557 006	Ø 0.6-0.8mm Fe, Ss, cored wire. Ø 0.8-1.0mm Fe, Ss, cored wire. Ø 1.0-1.2mm Fe, Ss, cored wire. Ø 1.0-1.2mm cored wire, knurled. Ø 1.0-1.2mm Al wire.
C	Inlet nozzle	0466 074 001	
D	Insert tube	0455 894 001 0455 889 001	Plastic, must be used together with item 0455 885 001, for welding with Al wire. Steel, must be used together with item 0455 886 001.
E	Outlet nozzle	0455 885 001 0455 886 001	Must be used together with item 0455 894 001, for welding with Al wire. Must be used together with item 0455 889 001.

The rollers are marked with wire dimension in mm, some are also marked with inch.



**Welding with aluminium wires.**

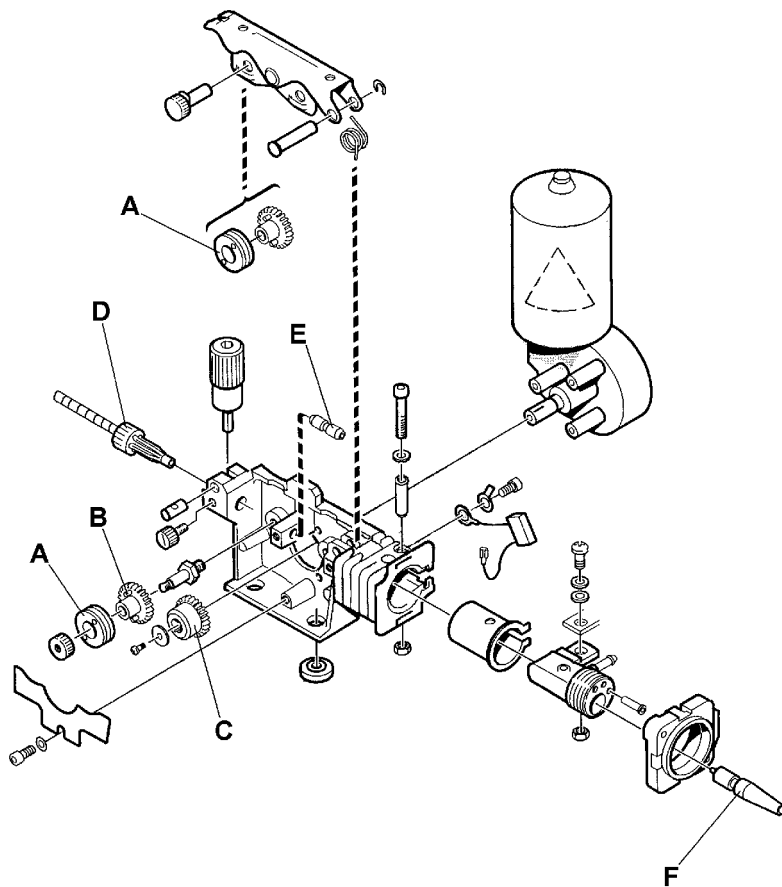
In order to weld with aluminium wires, proper rollers, nozzles and liners for aluminium wires **MUST** be used. It is recommended to use 3m long welding gun for aluminium wires, equipped with appropriate wear parts.

**Wear components**

**(W. F. Mechanisms 0459 000 883 & 0459 000 884)**

Item	Denomination	Ordering no.	Notes
A	Feed / Pressure roller	0459 052 002	Ø 0.8-1.0 mm Fe, Ss & cored wire; V-groove
		0459 052 003	Ø 1.0-1.2mm Fe, Ss & cored wire; V-groove
		0458 825 001	Ø 1.0-1.2mm V-groove, knurled.
		0458 825 002	Ø 1.2-1.4mm V-groove, knurled.
		0458 824 001	Ø 0.8-1.0mm Al wire, U-groove.
		0458 824 003	Ø 1.2-1.6mm Al wire, U-groove.
B	Gear adapter	0455 053 880	
C	Drive gear	0455 052 001	
D	Inlet nozzle	0455 049 001	Ø 3.0mm plastic for 0.6-1.6mm Fe, Ss, AL, cored wire.
		0335 318 001	Ø 2.4mm steel.
E	Intermediate nozzle	0455 072 002	Al wire.
		0456 615 001	
F	Outlet nozzle	0469 837 880	Ø 2.0mm steel for 0.6-1.6mm wire.
		0469 837 881	Ø 2.0mm plastic for 0.8-1.6mm Al wire.

The rollers are marked with wire dimension in mm, some are also marked with inch.



**Welding with aluminium wires.**

In order to weld with aluminium wires, proper rollers, nozzles and liners for aluminium wires **MUST** be used. It is recommended to use 3m long welding gun for aluminium wires, equipped with appropriate wear parts.